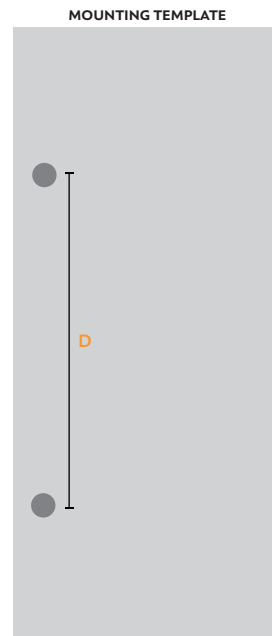
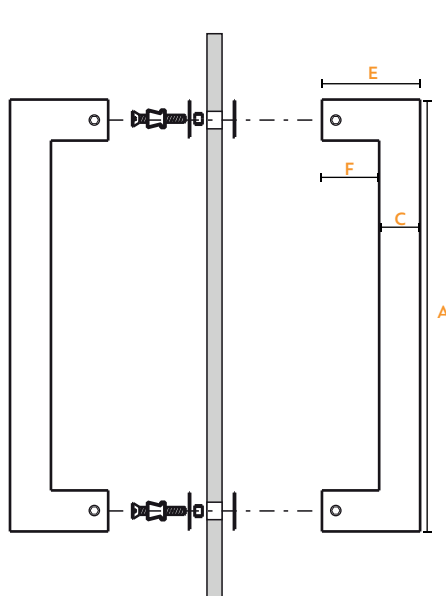
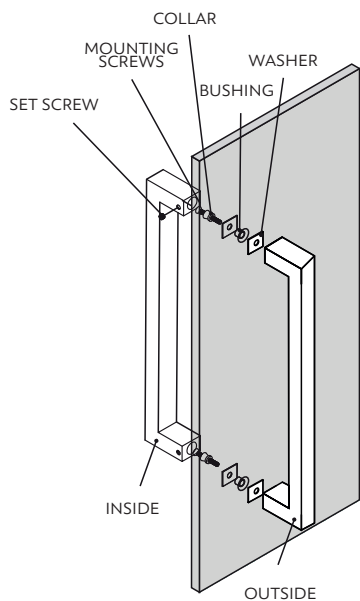


# 1.5" X 1" RECTANGULAR

PULL HANDLE BACK-TO-BACK  
FOR GLASS, WOOD OR METAL DOORS



## Back-to-Back Handle



MOUNTING OPTIONS	GLASS DOORS UP TO 3/4"	WOOD/METAL DOORS UP TO 1-3/4"
HOLE SIZE DIAMETER	5/8"	5/16"

For a thicker doors mounting hardware must be purchased separately.

Handle Length (A)	Cross-Section		Mounting Center-To-Center (D)	Projection (E)	Clearance (F)
	Front (B)	Side (C)			
18"	1-1/2"	1"	17"	2-7/8"	1-7/8"
24"	1-1/2"	1"	23"	2-7/8"	1-7/8"
36"	1-1/2"	1"	35"	2-7/8"	1-7/8"
48"	1-1/2"	1"	47"	2-7/8"	1-7/8"
60"	1-1/2"	1"	59"	2-7/8"	1-7/8"
72"	1-1/2"	1"	71"	2-7/8"	1-7/8"
84"	1-1/2"	1"	83"	2-7/8"	1-7/8"
96"	1-1/2"	1"	95"	2-7/8"	1-7/8"

**FINISH:** Brushed Satin **S** - Matte Black Powder **B** - Polished **P** - Satin Brass **SB**

**OVERALL LENGTH (Inches):** 24 - 36 - 48 - 60 - 72 - 84 - 96

For customization requests, please contact us at [info@strongarhardware.com](mailto:info@strongarhardware.com)

For a complete SKU add Finish and Overall length.

**SKU#**  
**SH-RPH** - FINISH - OVERALL LENGTH - 1510