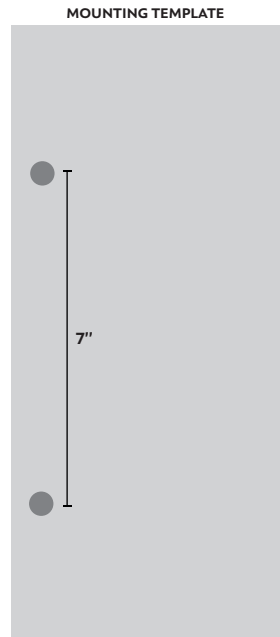
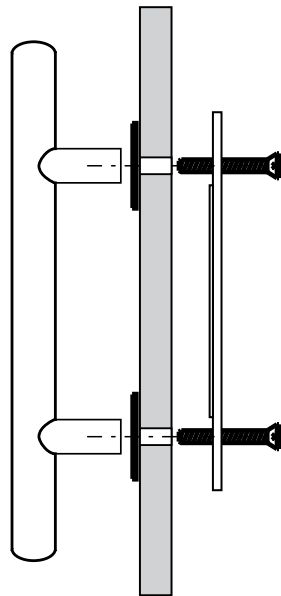
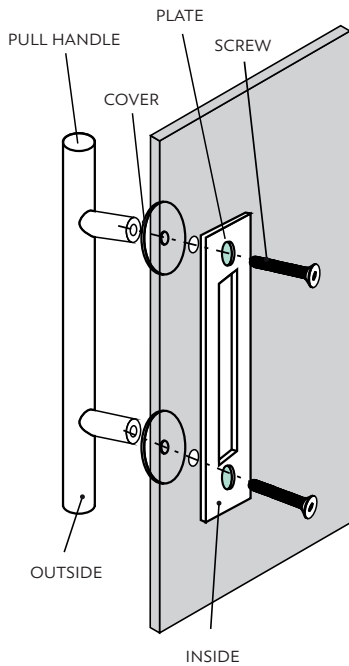


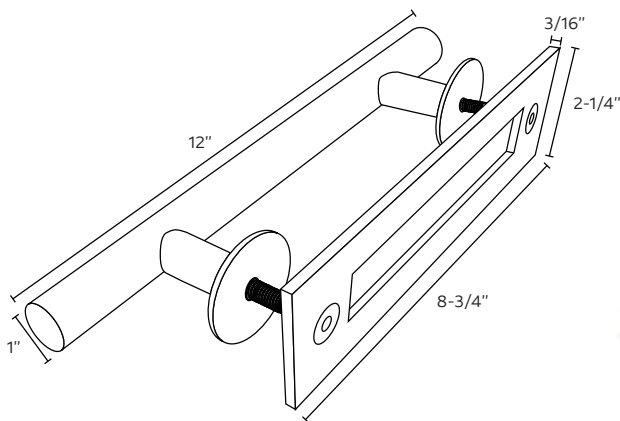
Pull and Flush

TUBULAR DOOR HANDLE SET



MOUNTING OPTIONS	WOOD/METAL DOORS UP TO 1-3/4"
HOLE SIZE DIAMETER	5/16"

For a thicker doors mounting hardware must be purchased separately.



FINISH: Brushed Satin **S** - Matte Black Powder **B** - Polished **P** - Satin Brass **SB**

For customization requests, please contact us at info@strongarhardware.com

For a complete SKU add Finish.

SKU#
SH-FPT- FINISH - 01