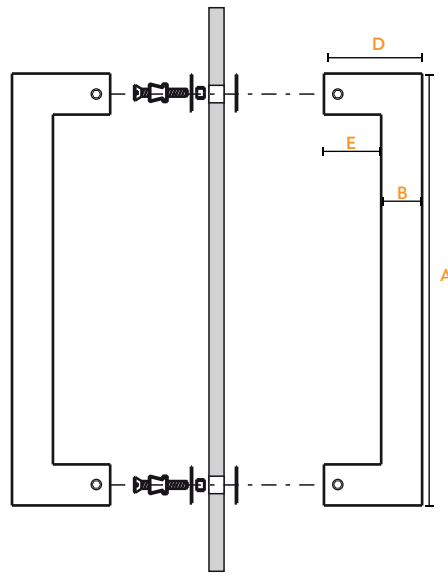
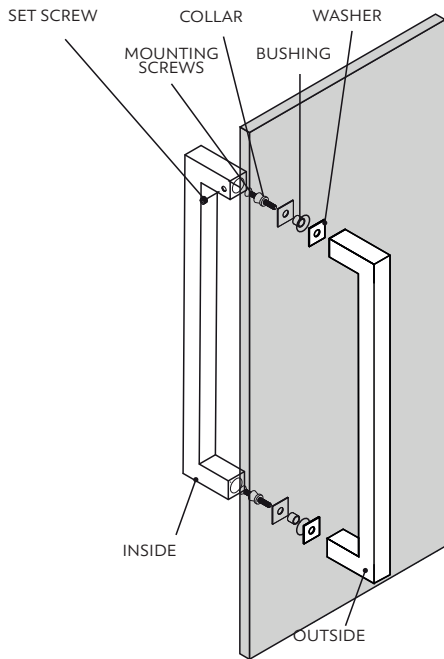
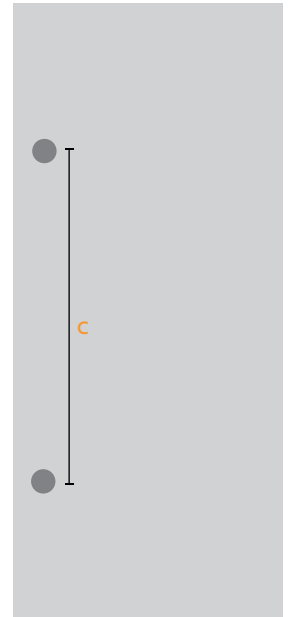


1" X 1" SQUARE

PULL HANDLE
BACK-TO-BACK



MOUNTING TEMPLATE



Back-to-Back Handle



MOUNTING OPTIONS	GLASS DOORS UP TO 3/4"	WOOD/METAL DOORS UP TO 1-3/4"
HOLE SIZE DIAMETER	5/8"	5/16"

For a thicker doors mounting hardware must be purchased separately.

Handle Length (A)	Cross-Section		Mounting Center-To-Center (D)	Projection (E)	Clearance (F)
	Front (B)	Side (C)			
12"	1"	1"	11"	2-13/16"	1-13/16"
18"	1"	1"	17"	2-13/16"	1-13/16"
24"	1"	1"	23"	2-13/16"	1-13/16"
36"	1"	1"	35"	2-13/16"	1-13/16"
48"	1"	1"	47"	2-13/16"	1-13/16"
60"	1"	1"	59"	2-13/16"	1-13/16"
72"	1"	1"	71"	2-13/16"	1-13/16"

FINISH: Brushed Satin **S** - Matte Black Powder **B** - Polished **P** - Satin Brass **SB**

OVERALL LENGTH (Inches): 12 - 18 - 24 - 36 - 48 - 60 - 72

For customization requests, please contact us at info@strongarhardware.com

For a complete SKU add Finish and Overall length.

SKU#

SH-SPH - - - 1010

FINISH

OVERALL
LENGTH