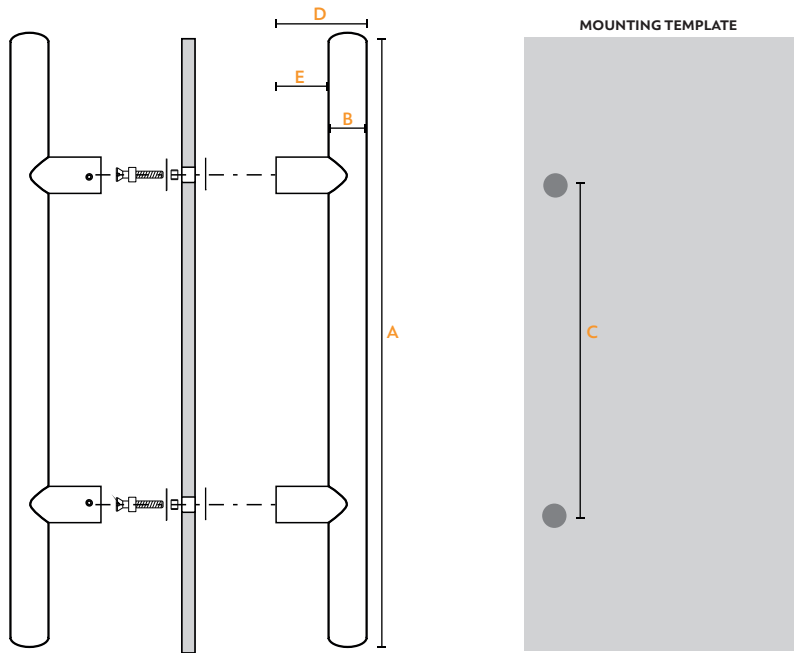
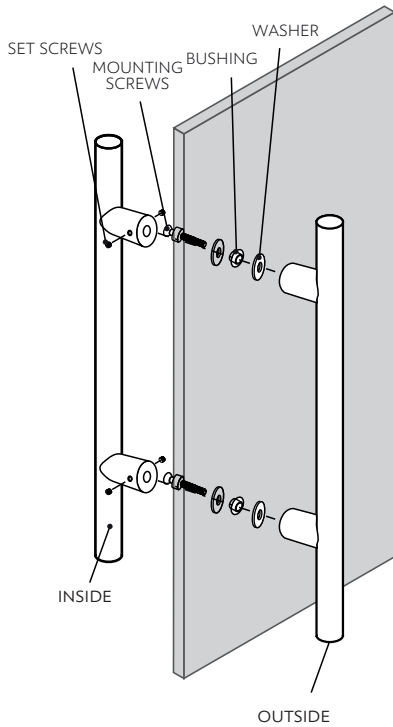


# Pro-Line Series™

LADDER STYLE - BACK-TO-BACK  
FOR GLASS, WOOD OR METAL DOORS



MOUNTING OPTIONS	GLASS DOORS UP TO 3/4"	WOOD/METAL DOORS UP TO 1-3/4"
HOLE SIZE DIAMETER	5/8"	5/16"

For a thicker doors mounting hardware must be purchased separately.

Handle Length (A)	Diameter (B)	Center-to-Center (C)	Projection (D)	Clearance (E)
12"	1"	6"	2-3/4"	1-3/4"
18"	1"	12"	2-3/4"	1-3/4"
24"	1"	18"	2-3/4"	1-3/4"
36"	1"	30"	2-3/4"	1-3/4"
48"	1"	42"	2-3/4"	1-3/4"
60"	1"	54"	2-3/4"	1-3/4"
72"	1"	66"	2-3/4"	1-3/4"
84"	1"	60"	2-3/4"	1-3/4"

Handle Length (A)	Diameter (B)	Center-to-Center (C)	Projection (D)	Clearance (E)
12"	1-1/4"	6"	3"	1-3/4"
18"	1-1/4"	12"	3"	1-3/4"
24"	1-1/4"	18"	3"	1-3/4"
36"	1-1/4"	30"	3"	1-3/4"
48"	1-1/4"	42"	3"	1-3/4"
60"	1-1/4"	54"	3"	1-3/4"
72"	1-1/4"	66"	3"	1-3/4"
84"	1-1/4"	60"	3"	1-3/4"

Handle Length (A)	Diameter (B)	Center-to-Center (C)	Projection (D)	Clearance (E)
12"	1-1/2"	6"	3-1/4"	1-3/4"
18"	1-1/2"	12"	3-1/4"	1-3/4"
24"	1-1/2"	18"	3-1/4"	1-3/4"
36"	1-1/2"	30"	3-1/4"	1-3/4"
48"	1-1/2"	42"	3-1/4"	1-3/4"
60"	1-1/2"	54"	3-1/4"	1-3/4"
72"	1-1/2"	66"	3-1/4"	1-3/4"
84"	1-1/2"	60"	3-1/4"	1-3/4"

## Back-to-Back Ladder Handle



**FINISH:** Brushed Satin **S** - Matte Black Powder **B** - Polished **P** - Satin Brass **SB**  
**OVERALL LENGTH:** 12 - 18 - 24 - 32 - 36 - 48 - 60 - 72 - 84  
**DIAMETER:** 1" = **1000** 1-1/4" = **1250** 1-1/2" = **1500**

For a complete SKU add Finish and Overall length.

**SKU#**

**SH-PRO-304-LPH-**

**FINISH**

**OVERALL LENGTH**

**DIAMETER**