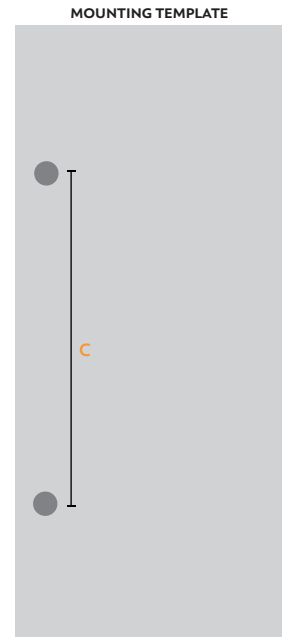
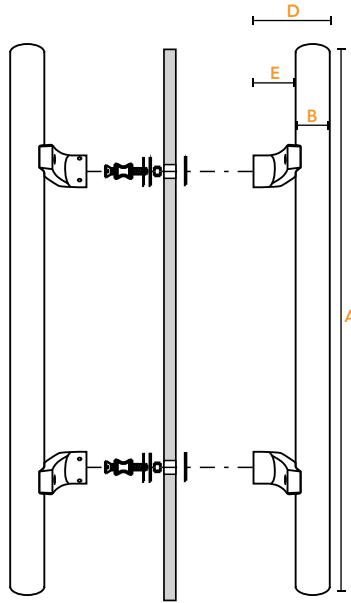
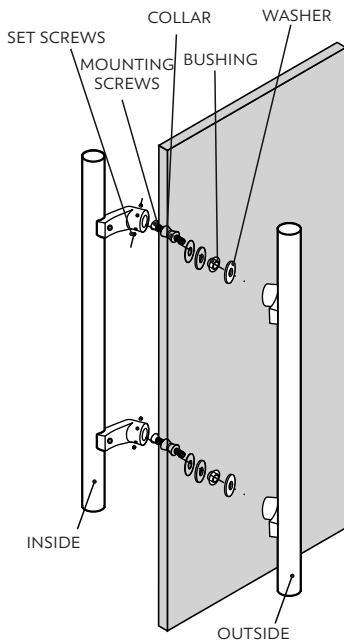


Pro-Line Series™

POSTMOUNT OFFSET PULL HANDLE
FOR GLASS, WOOD OR METAL DOORS



Back-to-Back Handle



| MOUNTING OPTIONS | GLASS DOORS UP TO 3/4" | WOOD/METAL DOORS UP TO 1-3/4" |
|--------------------|------------------------|-------------------------------|
| HOLE SIZE DIAMETER | 5/8" | 5/16" |

For a thicker doors mounting hardware must be purchased separately.

| Handle Length (A) | Diameter (B) | Center-to-Center (C) | Projection (D) | Clearance (E) |
|-------------------|--------------|----------------------|----------------|---------------|
| 18" | 1-1/4" | 12" | 2-7/8" | 1-5/8" |
| 24" | 1-1/4" | 18" | 2-7/8" | 1-5/8" |
| 36" | 1-1/4" | 30" | 2-7/8" | 1-5/8" |
| 48" | 1-1/4" | 42" | 2-7/8" | 1-5/8" |
| 60" | 1-1/4" | 54" | 2-7/8" | 1-5/8" |
| 72" | 1-1/4" | 66" | 2-7/8" | 1-5/8" |
| 84" | 1-1/4" | 60" | 2-7/8" | 1-5/8" |

FINISH: Brushed Satin **S** - Matte Black Powder **B** - Polished **P**
OVERALL LENGTH (Inches): 18 - 24 - 36 - 48 - 60 - 72 - 84

For customization requests, please contact us at info@strongarhardware.com

For a complete SKU add Finish and Overall length.

SKU#
SH-PRO-316-OLPN - - - **1250**
FINISH OVERALL LENGTH