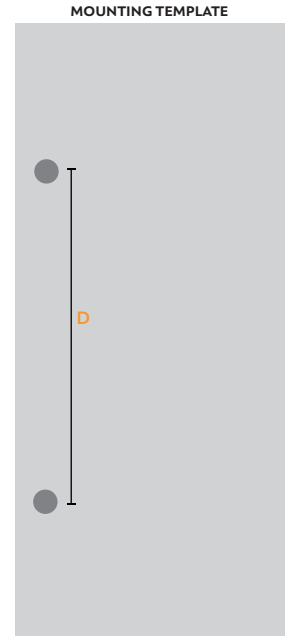
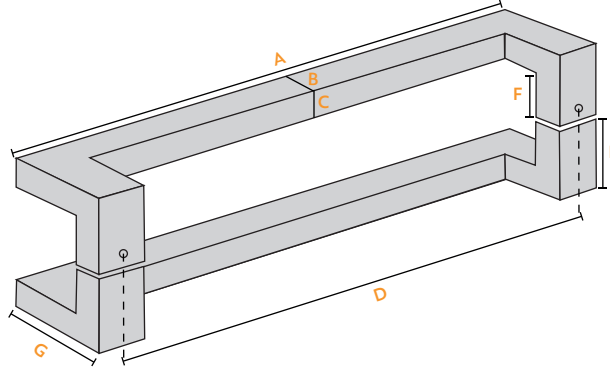
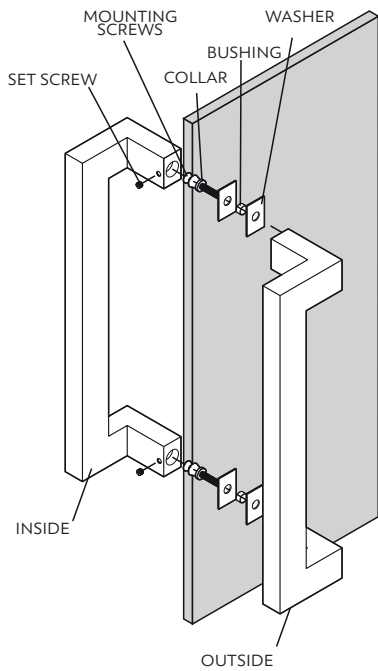


# Pro-Line Series™

45° OFFSET RECTANGULAR - BACK-TO-BACK  
FOR GLASS, WOOD OR METAL DOORS



## Back-to-Back Handle



MOUNTING OPTIONS	GLASS DOORS UP TO 3/4"	WOOD/METAL DOORS UP TO 1-3/4"
HOLE SIZE DIAMETER	5/8"	5/16"

For a thicker doors mounting hardware must be purchased separately.

Handle Length (A)	Cross-Section		Mounting Center-To-Center (D)	Projection (E)	Clearance (F)	Height (G)
	Front (B)	Side (C)				
18 "	1-1/2"	1"	16-1/2"	3"	2"	3-1/2"
24 "	1-1/2"	1"	22-1/2"	3"	2"	3-1/2"
36 "	1-1/2"	1"	34-1/2"	3"	2"	3-1/2"
48 "	1-1/2"	1"	46-1/2"	3"	2"	3-1/2"
60 "	1-1/2"	1"	58-1/2"	3"	2"	3-1/2"
72 "	1-1/2"	1"	70-1/2"	3"	2"	3-1/2"
84 "	1-1/2"	1"	82-1/2"	3"	2"	3-1/2"

**FINISH:** Brushed Satin **S** - Matte Black Powder **B** - Polished **P** - Satin Brass **SB**  
**OVERALL LENGTH** (Inches): **18 - 24 - 32 - 36 - 48 - 60 - 72 - 84**

For customization requests, please contact us at [info@strongarhardware.com](mailto:info@strongarhardware.com)

For a complete SKU add Finish and Overall length.

**SKU#**

**SH-PRO-316-OFR** -  -  - **1510**

FINISH

OVERALL  
LENGTH