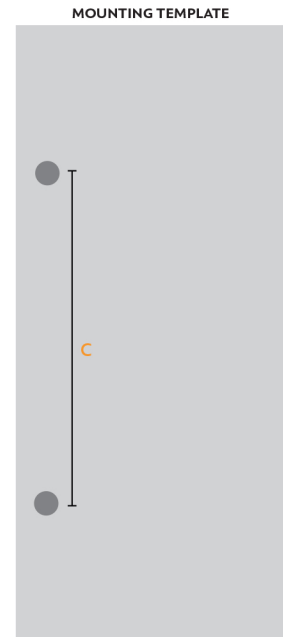
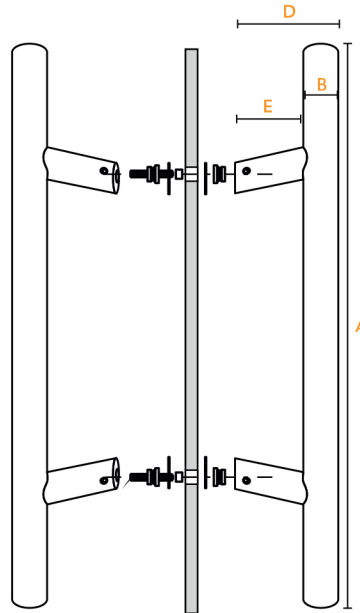
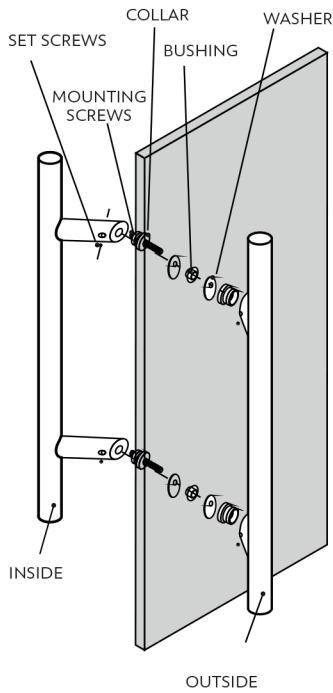


ASSEMBLY INSTRUCTIONS

Pro-Line Series™

45° OFFSET LADDER PULL HANDLE
FOR GLASS, WOOD OR METAL DOORS



Back-to-Back Handle



MOUNTING OPTIONS	GLASS DOORS UP TO 3/4"	WOOD/METAL DOORS UP TO 1-3/4"
HOLE SIZE DIAMETER	5/8"	5/16"

For a thicker doors mounting hardware must be purchased separately.

Handle Length (A)	Diameter (B)	Center-to-Center (C)	Projection (D)	Clearance (E)
18"	1-1/4"	12"	5-3/16"	3-1/8"
24"	1-1/4"	18"	5-3/16"	3-1/8"
36"	1-1/4"	30"	5-3/16"	3-1/8"
48"	1-1/4"	42"	5-3/16"	3-1/8"
60"	1-1/4"	54"	5-3/16"	3-1/8"
72"	1-1/4"	66"	5-3/16"	3-1/8"
84"	1-1/4"	60"	5-3/16"	3-1/8"

STEPS

1. Drill holes at required center-to-center location and correct diameter based on your handle size and door type.
2. Pass the non-head screw through the door and tight collars on each side of the door.
3. Afix each handle on each side of the door, tightening all four sets screws on each posting.