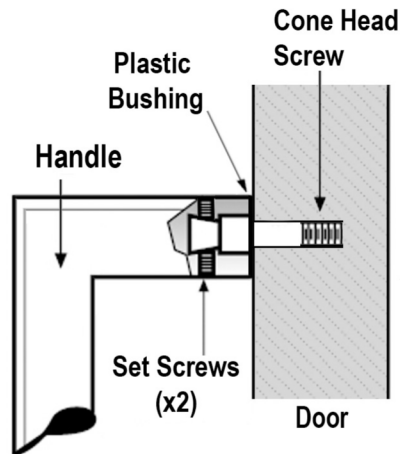
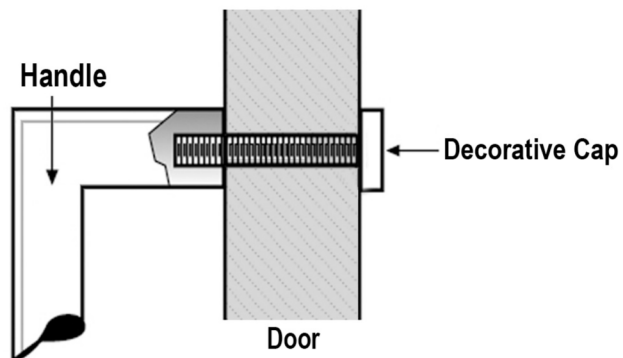


**CONCEALED SURFACE MOUNTS**



**DECORATIVE THRU-BOLT END CAPS**



**COUNTERSUNK THRU-BOLT WASHERS**

