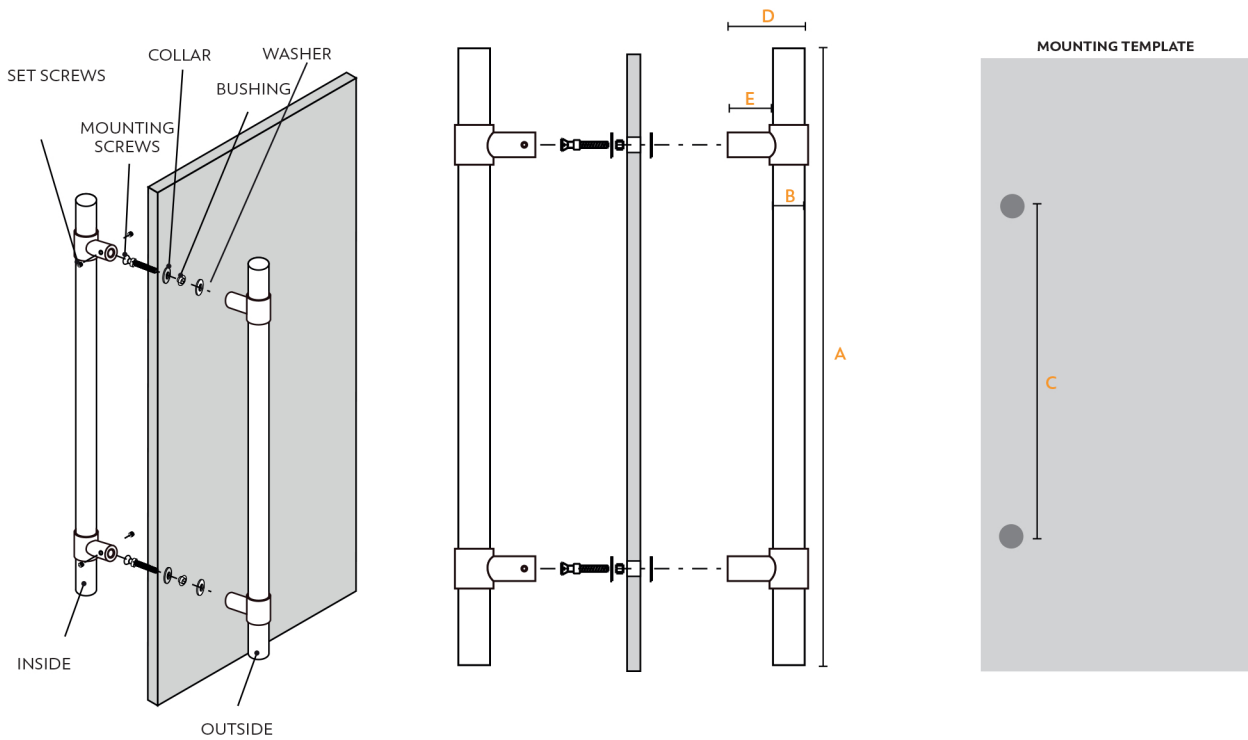


ASSEMBLY INSTRUCTIONS

Pro-Line Series™

COLLAR MOUNTING POST PULL HANDLE
FOR GLASS, WOOD OR METAL DOORS



Back-to-Back Handle



MOUNTING OPTIONS	GLASS DOORS UP TO 3/4"	WOOD/METAL DOORS UP TO 1-3/4"
HOLE SIZE DIAMETER	5/8"	5/16"

For a thicker doors mounting hardware must be purchased separately.

Handle Length (A)	Diameter (B)	Center-to-Center (C)	Projection (D)	Clearance (E)
18"	1-1/4"	12"	3"	1-3/4"
24"	1-1/4"	18"	3"	1-3/4"
32"	1-1/4"	26"	3"	1-3/4"
36"	1-1/4"	30"	3"	1-3/4"
48"	1-1/4"	42"	3"	1-3/4"
60"	1-1/4"	54"	3"	1-3/4"
72"	1-1/4"	66"	3"	1-3/4"

STEPS

1. Drill holes at required center-to-center location and correct diameter based on your handle size and door type.
2. Install the outside handle first. Insert the mounting screw through the door panel screwing the bolt completely.
3. From the interior part of your door, now you have the collar exposed.
4. Slide the inside handle over the collar and hold the handle strongly to the face of the door while tightening the set screws using the provided allen keys. Do not use a power drill for this step.