

## STRONGAR HARDWARE PLUS COLLECTION

### FEATURES

- These face mounted door rollers will glide smooth and silent on Nylon-coated wheels so barn doors can be maneuvered effortlessly.
- Suitable for wood or metal doors with a loading capacity of 220 lbs.
- Each roller is equipped with an anti-jump pin that will eliminate the risk of your door shifting or coming off the track, rendering your space safe for all.
- Entirely made of 304 grade Stainless Steel

### FINISHES AVAILABLES

- Brushed Satin (S)

### PRODUCT SKU

- SHPL-EIF-WF-01

### SPECIFICATIONS

- Material: 304 grade Stainless Steel
- Weight Capacity: 220 Lbs.
- Application: wood and metal Doors
- Min & Max. Door Thickness: 1-1/8" – 1-3/4"

### DOOR CONFIGURATION

- Single Door, Double Door or Multiple Doors

### PERFORMANCE

- Meets requirements for sliding barn doors by exceeding 100,000 cycles in operation

### CONSTRUCTION SPECIFICATIONS INSTITUTE (CSI)

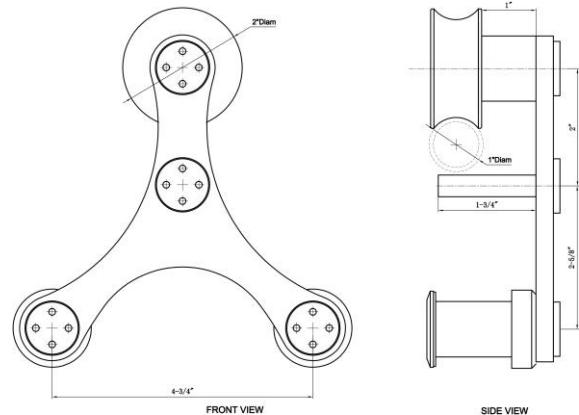
- Division 8 – Door and Windows  
CSI Code: 08700 – Hardware  
CSI Code: 08710 – Door Hardware

### INSTALLATION NOTES

- It is the sole responsibility of the purchaser to provide adequate door to accommodate the loading capacity of the rail system.
- All technical advice is subject to alteration based on the job condition.
- Simple to install.

### WARRANTY

- One year limited warranty



*These dimensions and specifications are subject to change without notice*