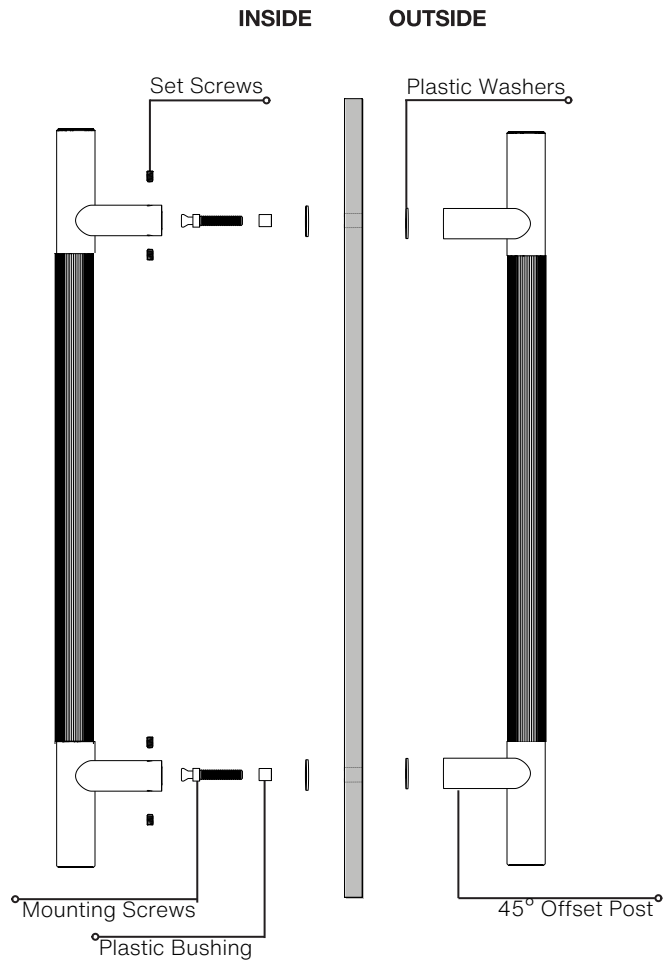
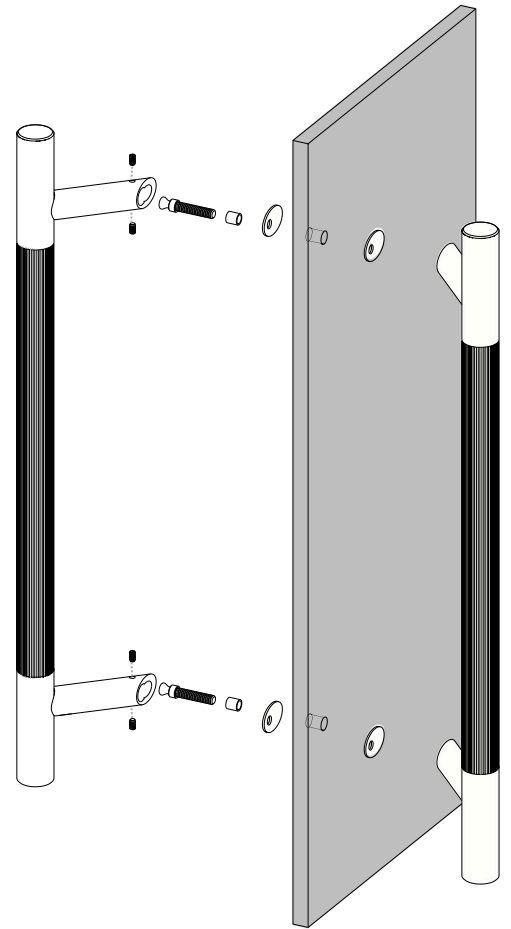


Pro-Line Fluted Series™

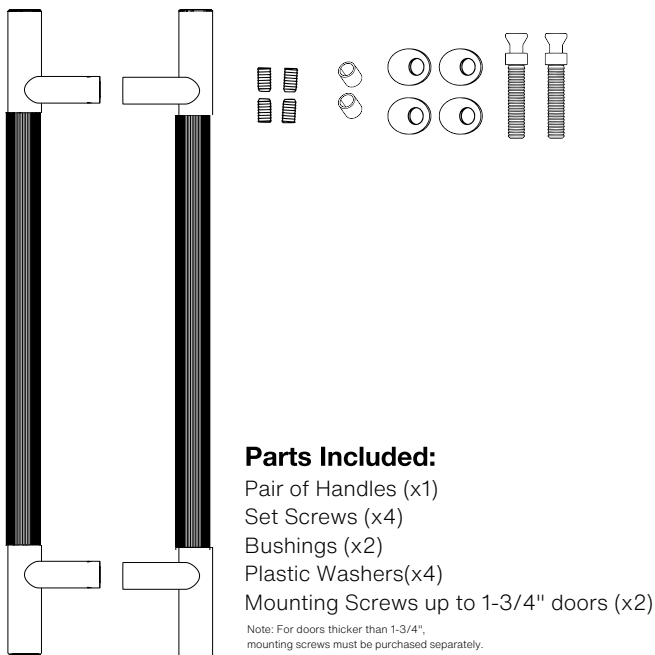
45° Offset Ladder Pull Handle
 Back to Back
 Suitable for Glass, Wood and Metal Doors



Side View



Axonometric View



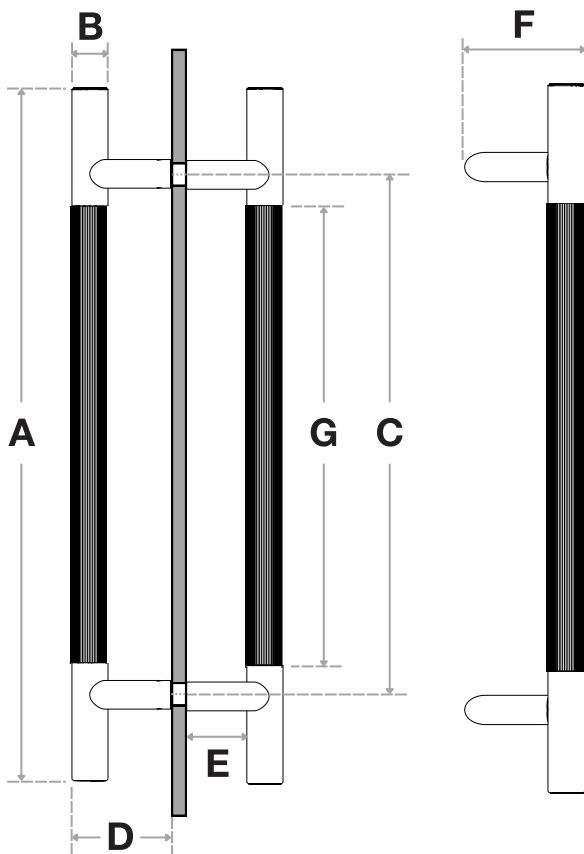
- Parts Included:**
 Pair of Handles (x1)
 Set Screws (x4)
 Bushings (x2)
 Plastic Washers(x4)
 Mounting Screws up to 1-3/4" doors (x2)

Note: For doors thicker than 1-3/4", mounting screws must be purchased separately.



Pro-Line Fluted Series™

PostMount Offset Pull Handle
 Back to Back
 Suitable for Glass, Wood and Metal Doors






Handle Length (A)	Diameter (B)	Center-to-Center (C)	Projection (D)	Clearance (E)	Width (F)	Fluted (G)
12"	1-1/4"	6"	5-3/16"	3-1/8"	3-1/4"	4-3/4"
18"	1-1/4"	12"	5-3/16"	3-1/8"	3-1/4"	10-3/4"
24"	1-1/4"	18"	5-3/16"	3-1/8"	3-1/4"	16-3/4"
36"	1-1/4"	30"	5-3/16"	3-1/8"	3-1/4"	28-3/4"
48"	1-1/4"	42"	5-3/16"	3-1/8"	3-1/4"	40-3/4"
60"	1-1/4"	54"	5-3/16"	3-1/8"	3-1/4"	52-3/4"

Side View

Front View

FINISHES (1):

-  Brushed Satin = **S**
-  Matte Black Powder Coated = **B**
-  Satin Brass = **SB**

OVERALL LENGTHS (2)

- 12" = **12**
- 18" = **18**
- 24" = **24**
- 36" = **36**
- 48" = **48**
- 60" = **60**

DIAMETER (3)

1-1/4" = **1250**

For a complete **SKU#** add Finish (1), Overall length (2) and Diameter (3)

SH-PRO-316-OLP-FLU- - -
 FINISH OVERALL LENGTH DIAMETER

DOOR TYPE	GLASS DOORS UP TO 3/4"	WOOD & METAL DOORS UP TO 4-3/4"
HOLE SIZE DIAMETER	5/8"	5/16"

Not all Finishes, Lengths and Diameters are available in this style.
 For customization requests, please contact us at info@strongarhardware.com